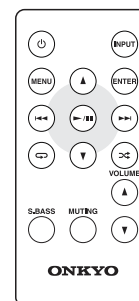
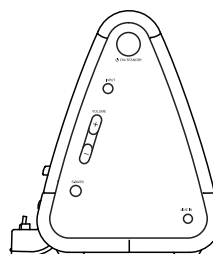
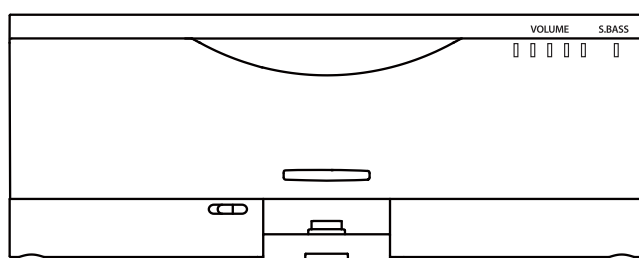
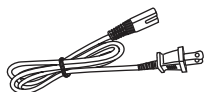


# ONKYO® SERVICE MANUAL

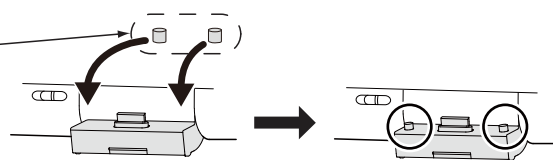
## DOCK MUSIC SYSTEM MODEL SBX-300(B)




AC Adapter



Power Cord

Cushion  
for iPad

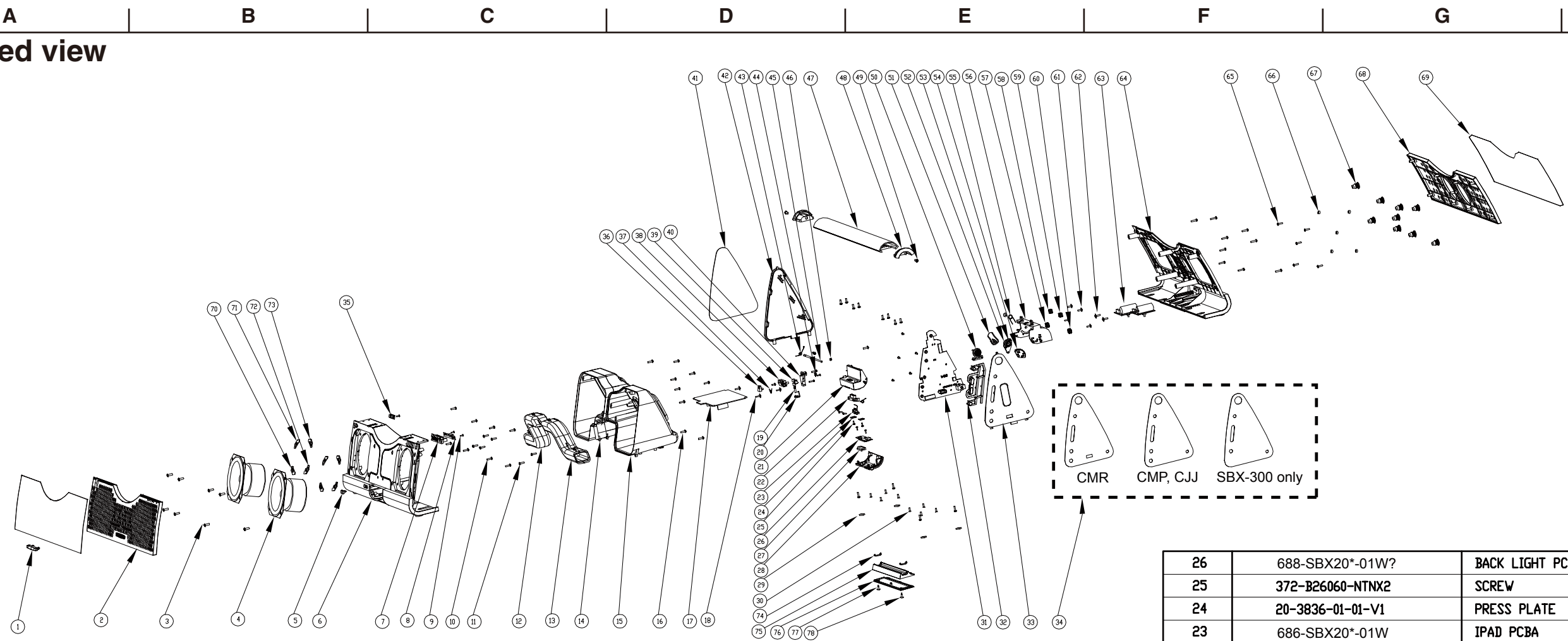
### SAFETY-RELATED COMPONENT WARNING!!

COMPONENTS IDENTIFIED BY MARK  ON THE SCHEMATIC DIAGRAM AND IN THE PARTS LIST ARE CRITICAL FOR RISK OF FIRE AND ELECTRIC SHOCK. REPLACE THESE COMPONENTS WITH ONKYO PARTS WHOSE PART NUMBERS APPEAR AS SHOWN IN THIS MANUAL.

MAKE LEAKAGE-CURRENT OR RESISTANCE MEASUREMENTS TO DETERMINE THAT EXPOSED PARTS ARE ACCEPTABLY INSULATED FROM THE SUPPLY CIRCUIT BEFORE RETURNING THE APPLIANCE TO THE CUSTOMER.

ONKYO SOUND & VISION CORPORATION  
Service Department

Exploded view



1

2

3

4

5

ITEM	P/N	DESCRIPTION	QTY
78	30-3685-01-01-V1	RUBBER FOOT SMALL	2
77	372-K26060-NTNX1	SCREW	2
76	300-N01223-000V0	LDC-BOTTOM	1
75	300-N01222-000V0	LDC-TOP	1
74	30-3690-01-01-V1	RUBBER FOR LDC	2
73	300-N01442-000V0	SPEAKER WASHER 2	2
72	300-N01440-000V0	SPEAKER WASHER 4	2
71	300-N01443-000V0	SPEAKER WASHER 1	2
70	300-N01441-000V0	SPEAKER WASHER 3	2
69	30-3683-01-01-V1	CLOTH	2
68	300-N01208-000V0	FRAME-NET-R	1
67	30-3688-01-01-V1	GROMMET	9
66	300-N01348-000V0	PLASTIC WASHER	5

ITEM	P/N	DESCRIPTION	QTY
65	372-P17080-BTNX1	SCREW	5
64	300-S00112-000V0	REAR	1
63	300-N01199-000V0	DC PCBA	1
62	377-W30100-YTNX1	SCREW	2
61	377-P26080-NTNX1	SCREW	5
60	30-3560-01-01-X1	RUBBER-DAMPER-DOWN	1
59	30-3593-01-01-X1	RUBBER-DAMPER-UP	1
58	30-3594-01-01-X1	RUBBER-DAMPER-LOCATION	1
57	30-3643-01-01-X1	RUBBER-DAMPER-DOWN-R	1
56	300-N01200-000V0	DOCK HOUSING	1
55	20-3840-01-01-V1	DOCK LOCK SPRING	1
54	300-N01201-000V0	GEAR	1
53	300-N00851-000X0	DAMPER 25G	1
52	300-N01199-000V0	LEVER DAMPER	1
51	300-N01202-000V0	DOCK LOCK	1
50	300-N01211-000V0	POWER KNOB	1
49	372-B40120-YTNX1	SCREW	2
48	300-N01210-000V0 (S) 300-N01210-100V0 (B)	HANDLE COVER	2
47	20-3834-01-01-V1 (S) 20-3834-02-01-V1 (B)	HANDLE BAR	1
46	20-3750-01-01-V1	E-RING	3

ITEM	P/N	DESCRIPTION	QTY
45	20-3835-01-01-V1	SHAFT	1
44	20-3839-01-01-V1	SWING ROD SPRING	1
43	20-3837-01-01-V1	DOCK LOCK SPRING	1
42	300-N01215-000V0	L SIDE PANEL	1
41	30-3691-01-01-V1	L-SIDE-PC	1
40	300-N01251-000V0	SWING ROD COVER	1
39	300-N01250-000V0	SWING END	1
38	300-N01204-000V0	SWING ROD	1
37	20-3849-01-01-V1	LOCK KNOB SPRING	1
36	300-N01203-000V0	KNOB PRESS	1
35	270-ST0031-B10V1	REMOTE PCBA	1
34	30-3692-01-01-V1 30-3692-01-02-V1 30-3692-01-03-V1	R-SIDE-PC < CMR > < CMP, CJJ > SBX-300 only	1
33	300-N01214-000V0	R SIDE PANEL	1
32	300-N01209-000V0	FUNCTION KNOB	1
31	690-SBX20*-01W 690-SBX20*-07W 690-SBX30*-47B	KEY PCBA < CMR > < CMP > SBX-300 only	1
30	372-K30100-BTNX1	SCREW	8
29	30-3684-01-01-V1	RUBBER FOOT	4
28	300-N01199-000V0	DOCK BOX B	1
27	300-N01213-000V0	POWER LENS	1

ITEM	P/N	DESCRIPTION	QTY
26	688-SBX20*-01W?	BACK LIGHT PCBA	1
25	372-B26060-NTNX2	SCREW	5
24	20-3836-01-01-V1	PRESS PLATE	2
23	686-SBX20*-01W	IPAD PCBA	1
22	300-N01205-000V0	IPAD CONTACT	1
21	300-N01198-000V0	DOCK BOX T	1
20	20-3848-01-01-V1	SWING END SPRING	1
19	20-3847-01-01-V1	SWING END SHAFT	1
18	377-P26100-BTNX1	SCREW	2
17	652-SBX20*-01W 652-SBX20*-02B 652-SBX30*-47B	MAIN PCBA < CMR > <CMP> SBX-300 only	1
16	372-B30140-BTNX1	SCREW	14
15	300-N01217-000V0	SPEAKER BOX R	1
14	300-N01216-000V0	SPEAKER BOX L	1
13	G31-SBX20R-07BV0	PIPE R ASM	1
12	G31-SBX20L-07BV0	PIPE L ASM	1
11	372-B30120-NTNX1	SCREW	15
10	372-B30100-BTNX2	SCREW	12
9	372-U20060-YTNX2	SCREW	8
8	688-SBX20*-01W?	LED PCB A	1
7	300-N01212-000V0	LED LENS	1
6	300-S00111-000V0	FRONT	1
5	300-N01206-000V0	LOCK KNOB	1
4	200-011004-371X0	SPEAKER	2
3	372-B40100-BTNX1	SELF TAPPING B-HEAD 4x10mm	8
2	300-N01207-000V0	SPEAKER FRAME F	1
1	30-3686-01-01-V1	RUBBER SURPORT	1











# SCHEMATIC DIAGRAMS - 5

## MAIN - 4

1

2

3

4

5

- USB-POWER-PROTECT
- 3.3V
- MX5010B-1.8V
- MCU-1.8V

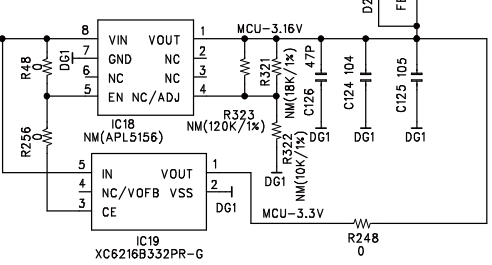
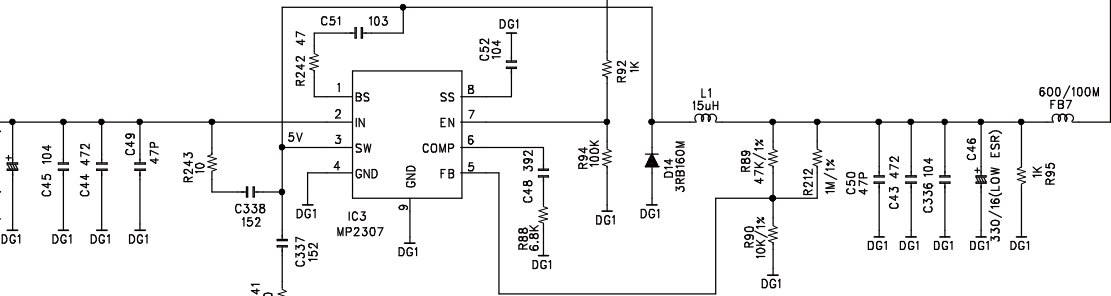
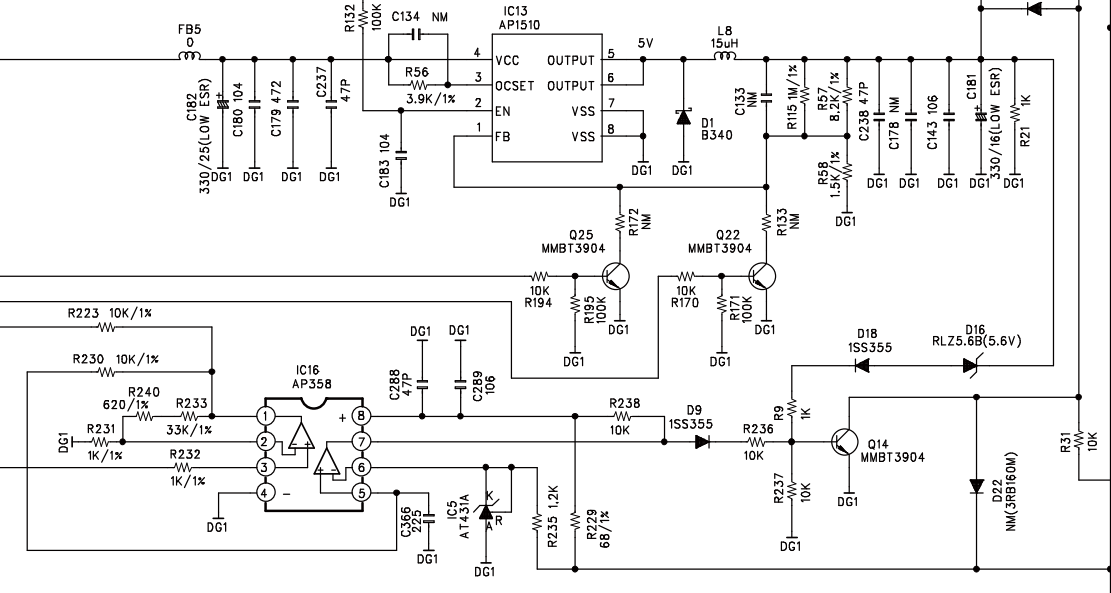
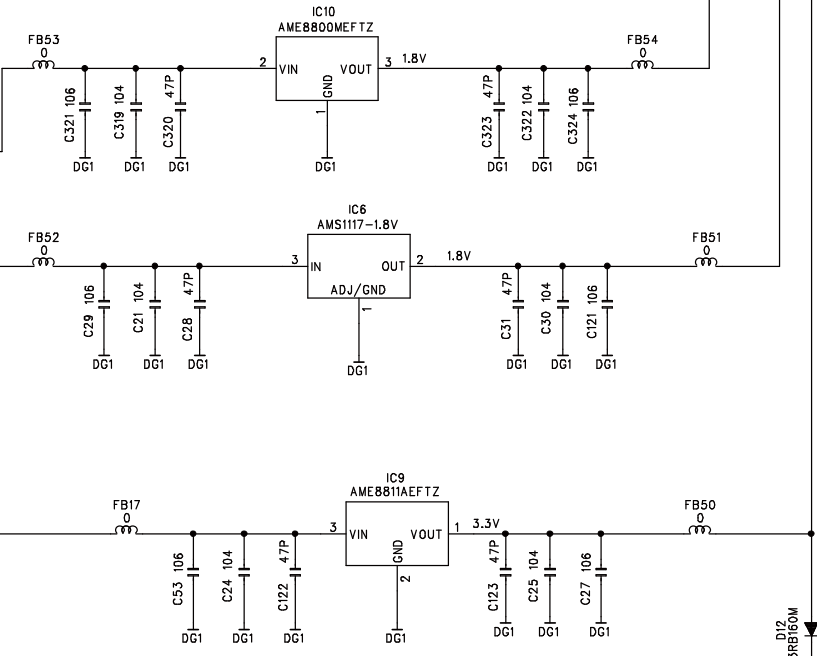
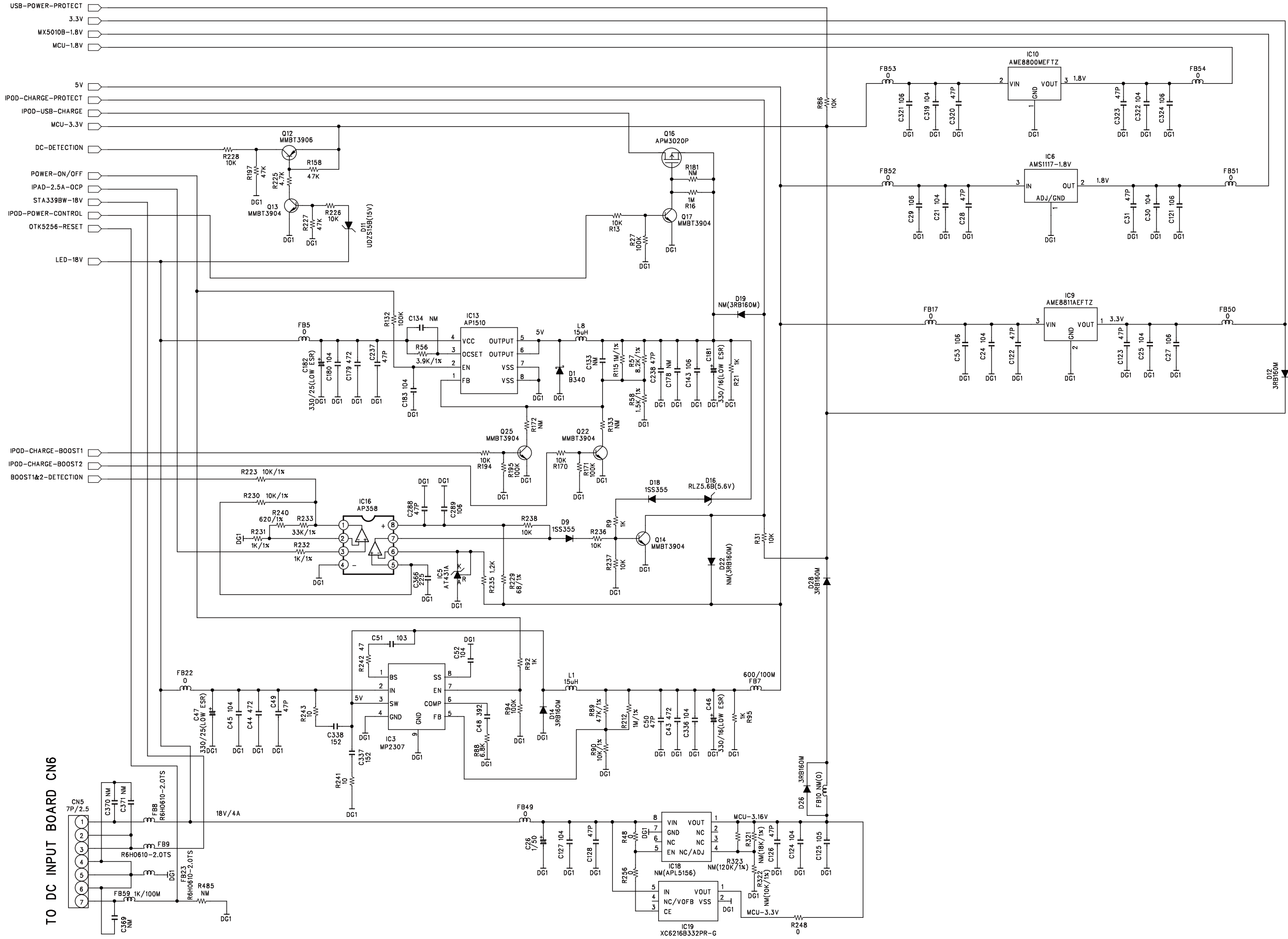
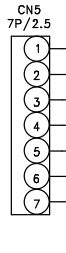
- 5V
- IPOD-CHARGE-PROTECT
- IPOD-USB-CHARGE
- MCU-3.3V
- DC-DETECTION

- POWER-ON/OFF
- IPAD-2.5A-OCV
- STA339BW-18V
- IPOD-POWER-CONTROL
- OTK5256-RESET

- LED-18V

- IPOD-CHARGE-BOOST1
- IPOD-CHARGE-BOOST2
- BOOST1&2-DETECTION

TO DC INPUT BOARD CN6



# SCHEMATIC DIAGRAMS - 6

## MAIN - 5

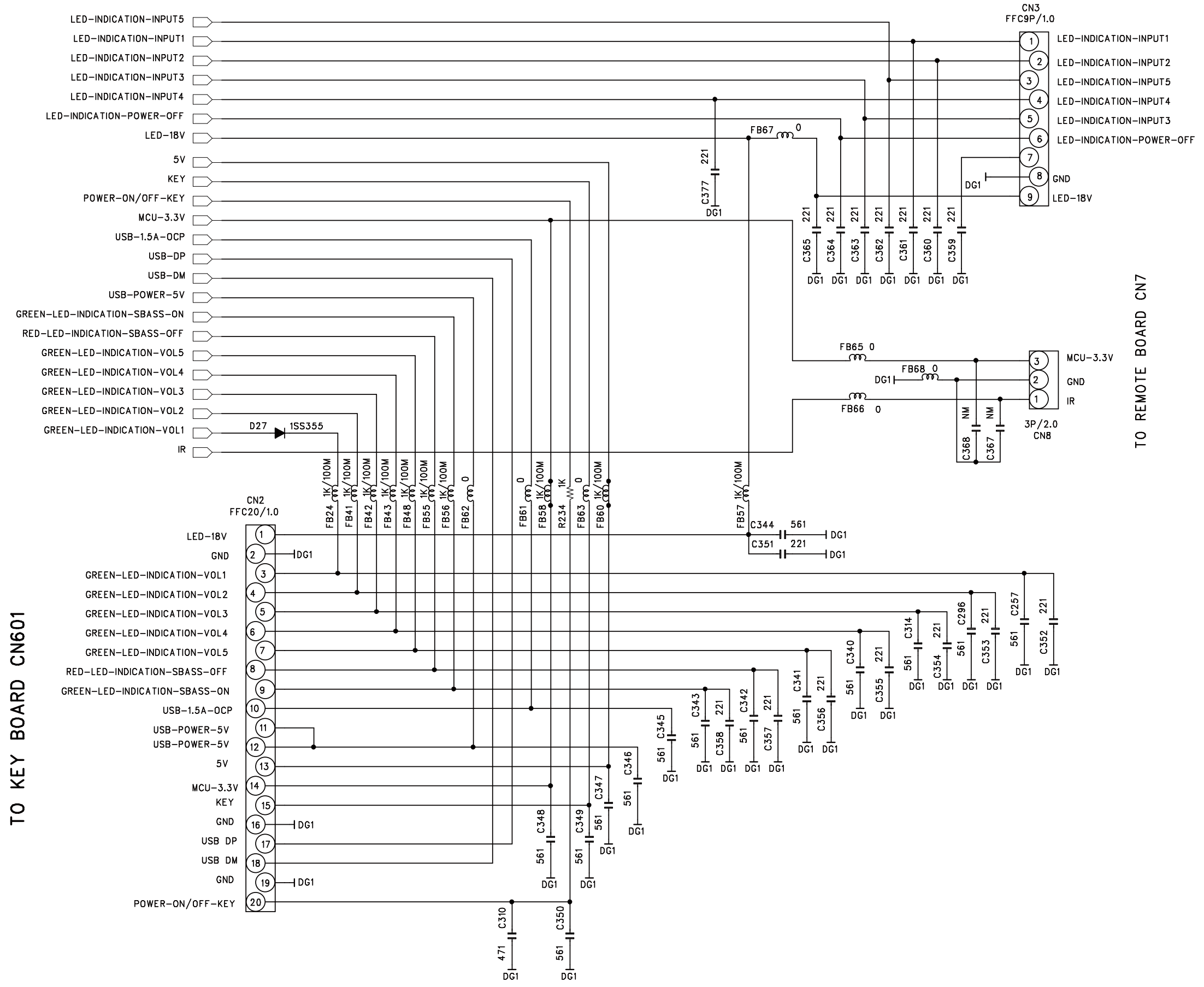
1

2

3

4

5



TO KEY BOARD CN601

TO BACKLIGHT BOARD CN803

TO REMOTE BOARD CN7

A

B

C

D

E

F

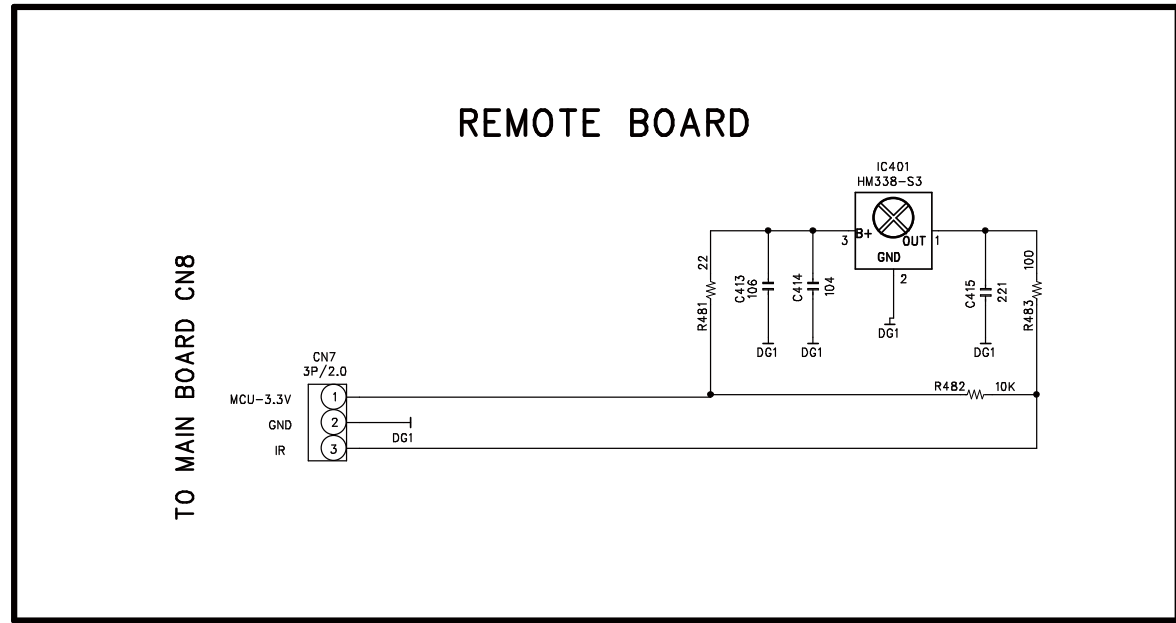
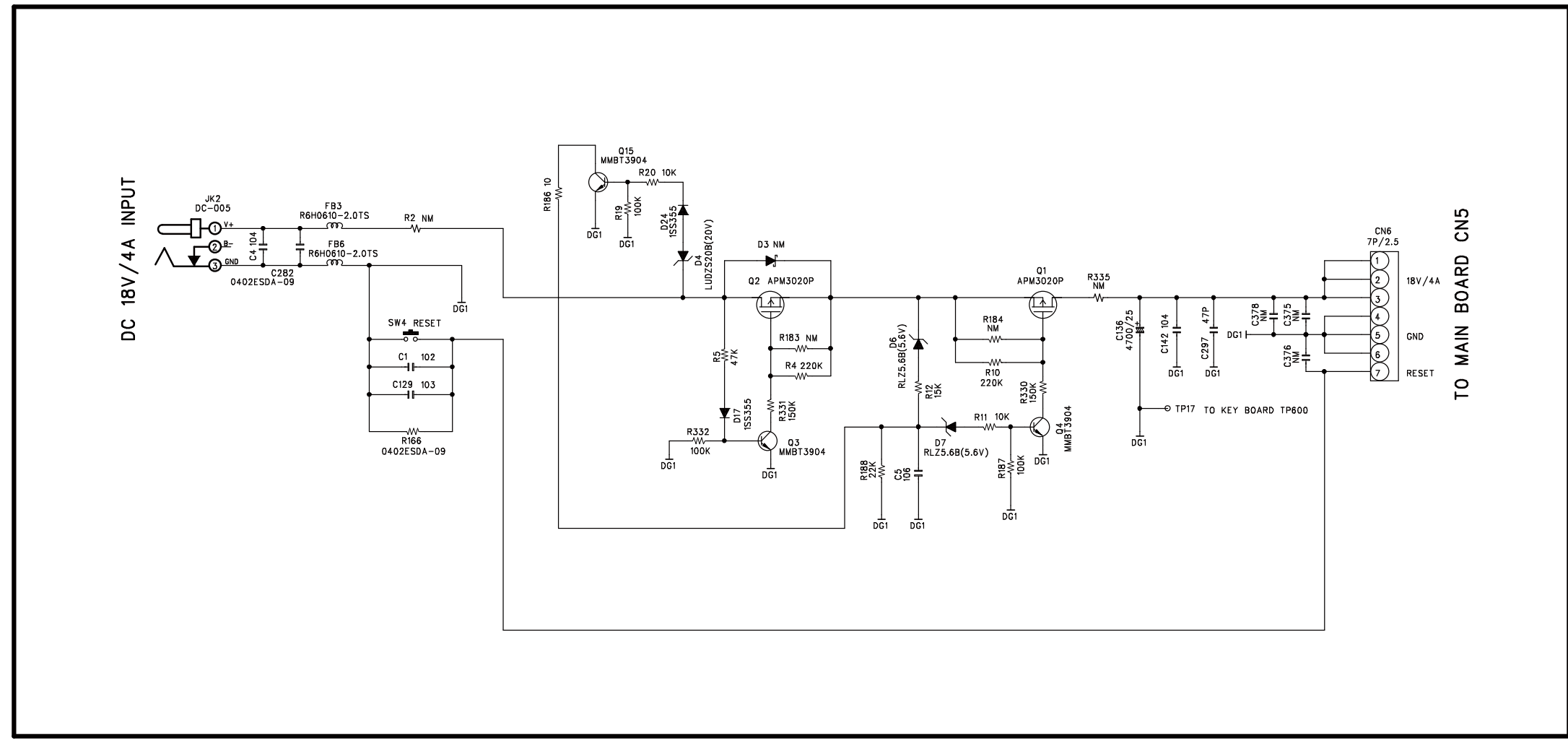
G

H



SCHEMATIC DIAGRAMS - 7  
MAIN - 6

DC INPUT BOARD

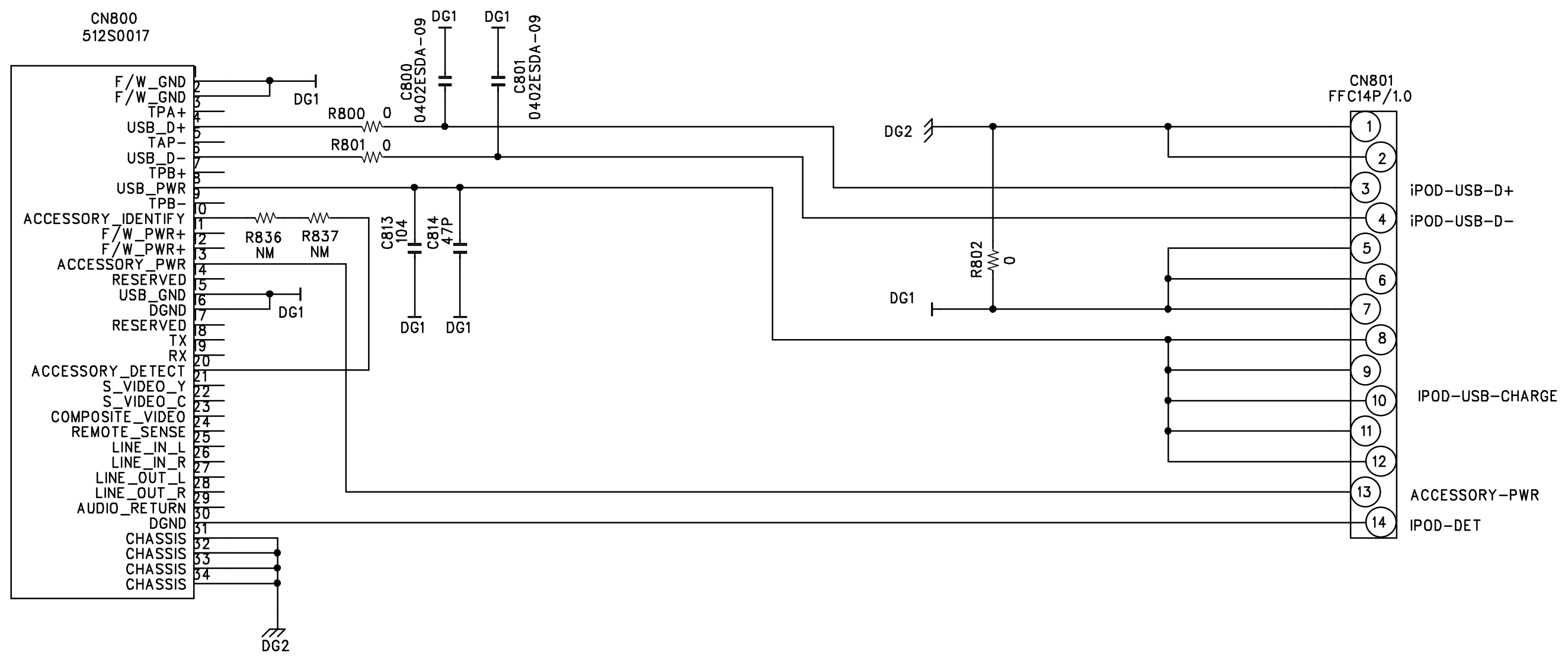


SCHEMATIC DIAGRAMS - 8

iPod Socket

# SBX-300 IPOD SOCKET BOARD

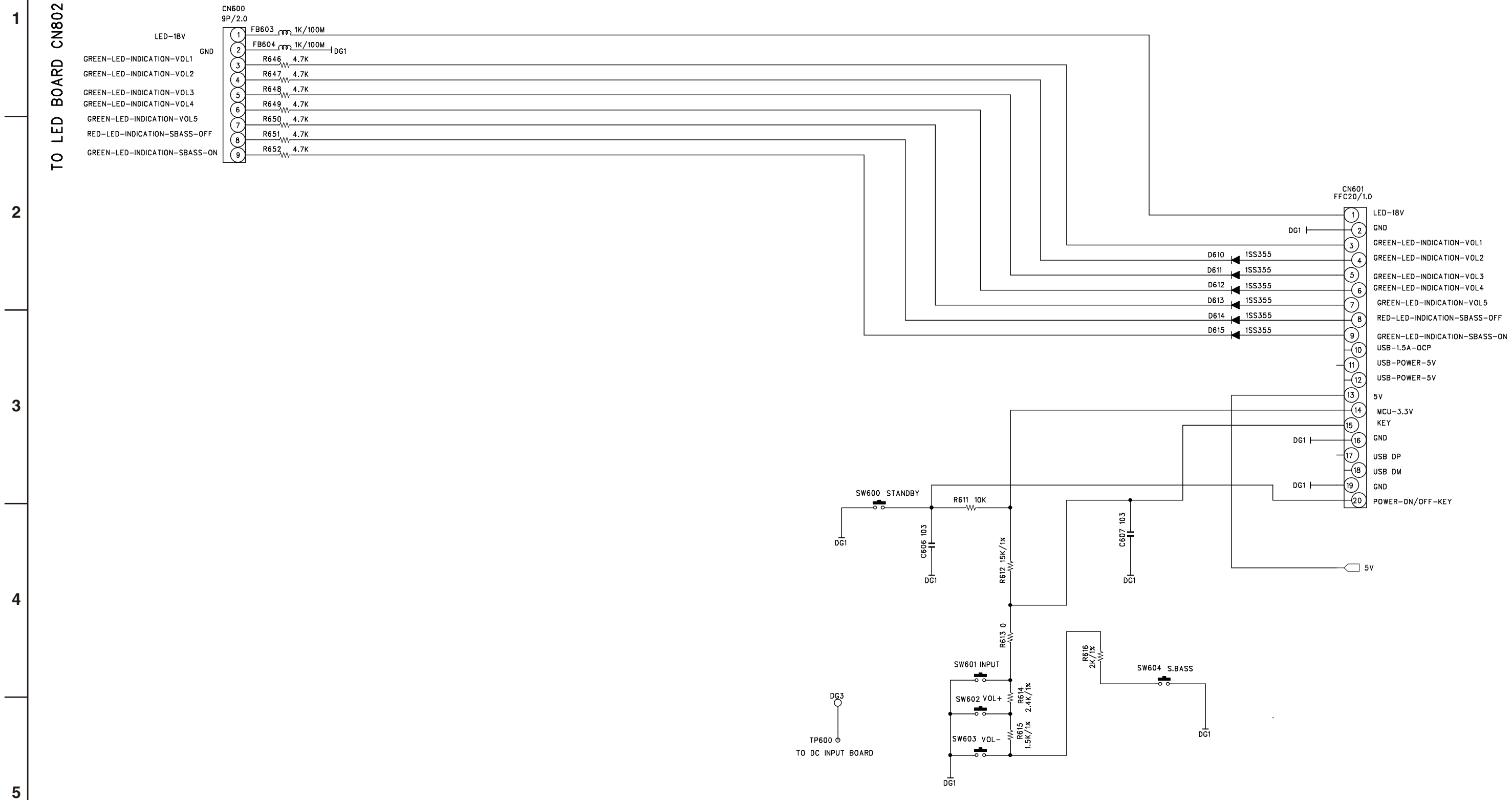
1  
2  
3  
4  
5



FROM MAIN BOARD CN1

# SCHEMATIC DIAGRAMS - 9

## Key Board



TO LED BOARD CN802

TO MAIN BOARD CN2

1  
2  
3  
4  
5

# SCHEMATIC DIAGRAMS - 10

## AUX Input

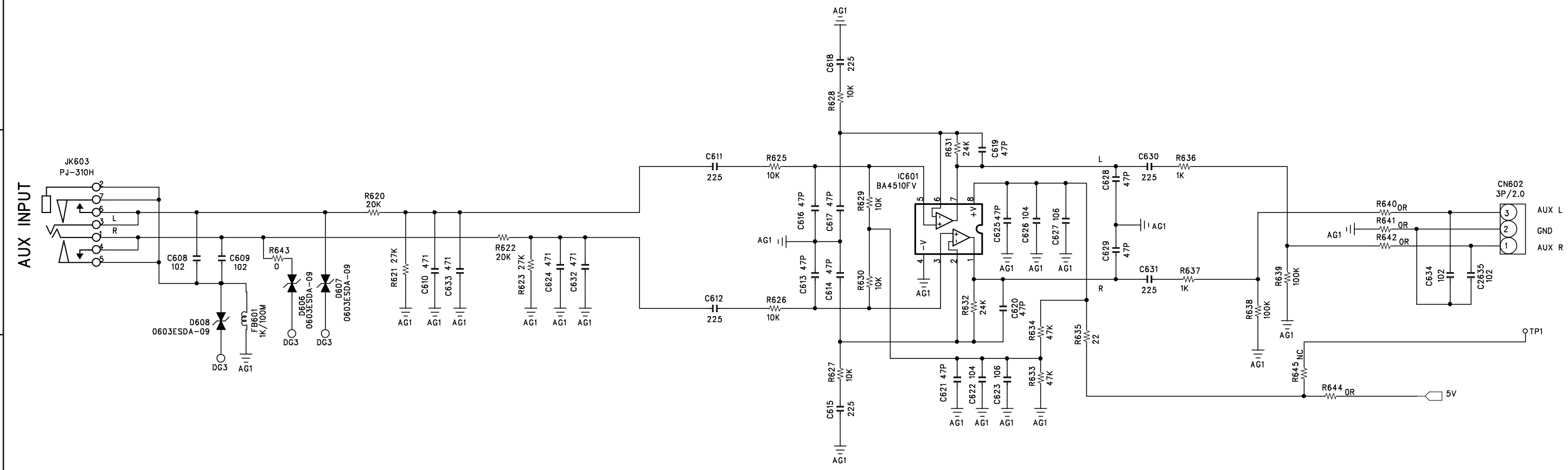
1

2

3

4

5



TO MAIN BOARD CN9

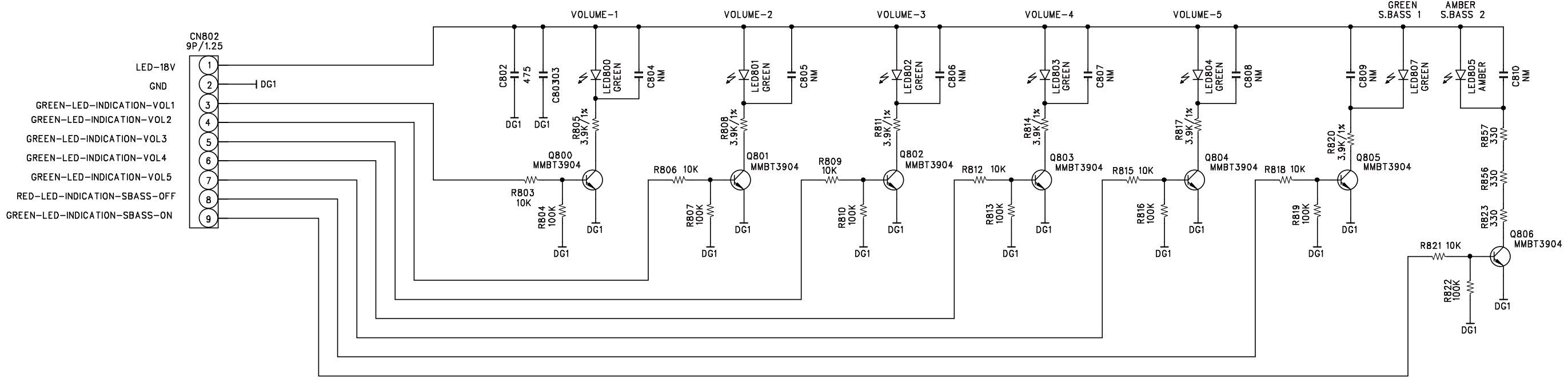
# SCHEMATIC DIAGRAMS - 11

## LED - 1

1  
2  
3  
4  
5

### LED BOARD

TO KEY BOARD CN600

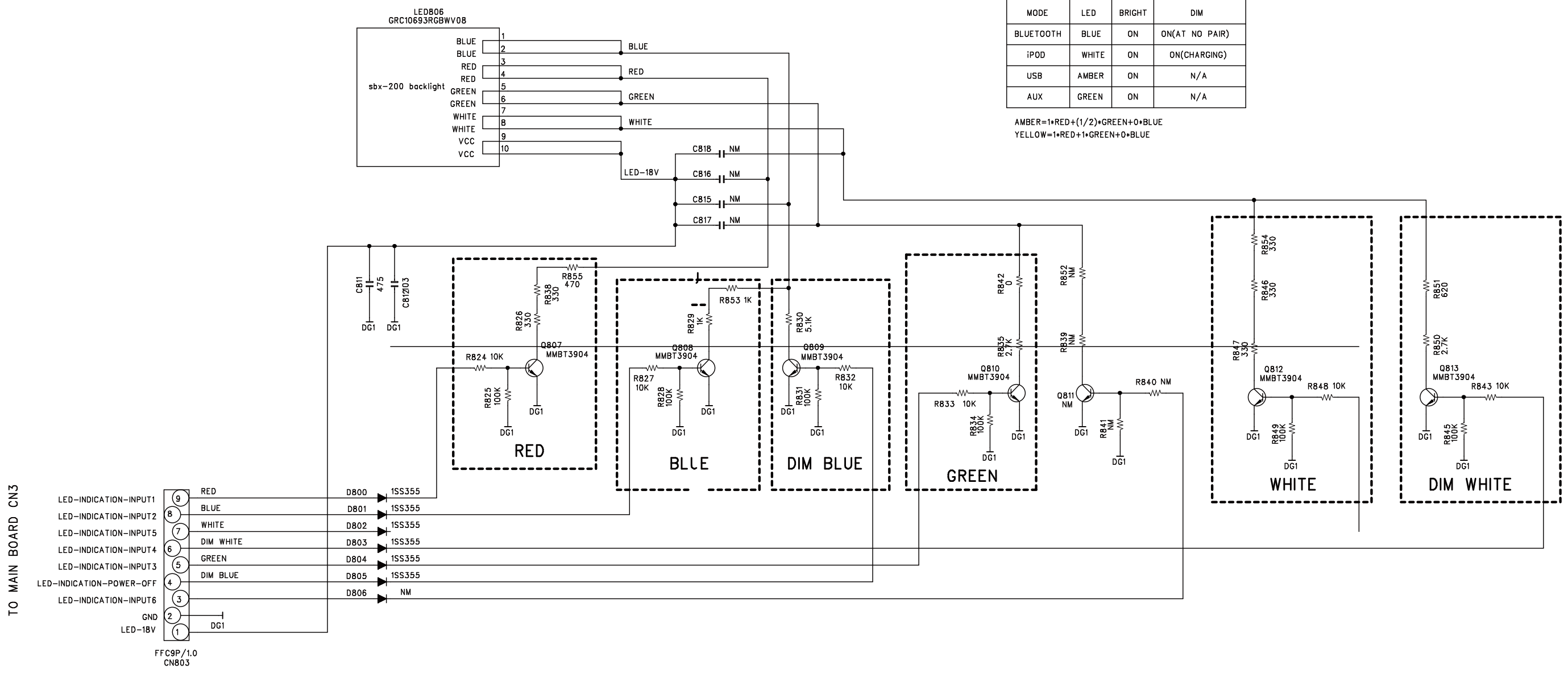


**SCHEMATIC DIAGRAMS - 12**  
**LED - 2**

1  
2  
3  
4  
5

WRGB 4 COLOR BACKLIGHT			
MODE	LED	BRIGHT	DIM
BLUETOOTH	BLUE	ON	ON(AT NO PAIR)
iPOD	WHITE	ON	ON(CHARGING)
USB	AMBER	ON	N/A
AUX	GREEN	ON	N/A

AMBER=1\*RED+(1/2)\*GREEN+0\*BLUE  
YELLOW=1\*RED+1\*GREEN+0\*BLUE



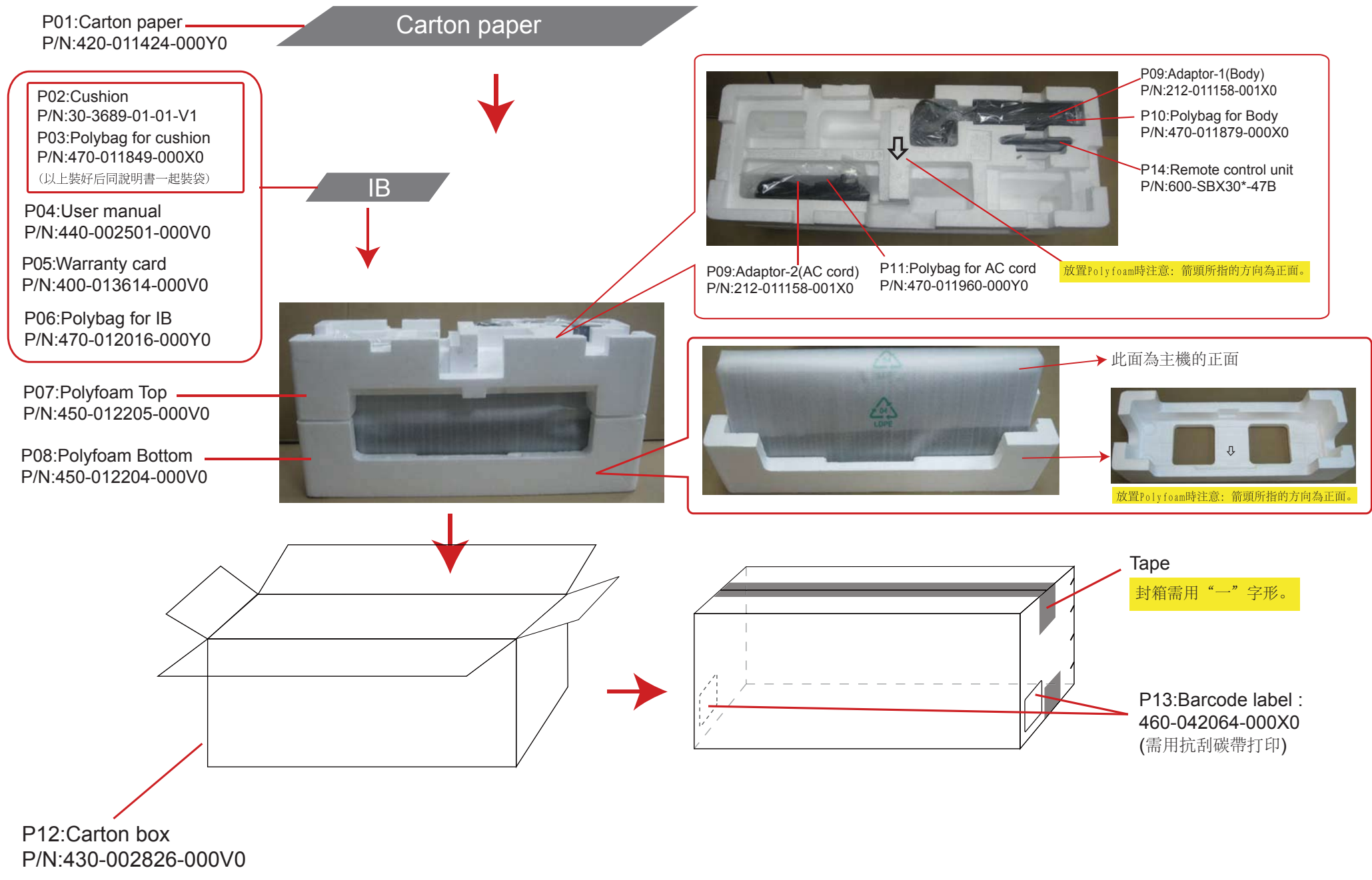
TRUE TABLE FOR COLOUR DISPLAY							
FUNCTION	DISPLAY COLOUR	LED-INDICATION-INPUT1 MCU NO.29PIN	LED-INDICATION-INPUT2 MCU NO.30PIN	LED-INDICATION-INPUT5 MCU NO.31PIN	LED-INDICATION-INPUT4 MCU NO.32PIN	LED-INDICATION-INPUT3 MCU NO.111PIN	LED-INDICATION-POWER-OFF MCU NO.66PIN
iPOD & USB CHARGE OVERLOAD PROTECTION	RED	1	0	0	0	0	0
iPOD SOURCE	WHITE	0	0	1	0	0	0
BLUETOOTH SOURCE(AT PAIR OK)	BLUE	0	1	0	0	0	0
LINE IN SOURCE	GREEN	0	0	0	0	1	0
USB SOURCE	AMBER	1	0	0	0	1/2 PULSE	0
SHUFFLE(AT USB SOURCE)	YELLOW	1	0	0	0	1	0
iPOD CHARGING(AT STANDBY)	DIM WHITE	0	0	0	1	0	0
BLUETOOTH SOURCE(AT NO PAIR)	DIM BLUE	0	0	0	0	0	1



# Packing view

1  
2  
3  
4  
5

A B C D E F G H



**SBX-300****<Note>**

Parts marked by **'NSP'** are generally unavailable because they are not in our Master Spare Parts List.

**NOTE : THE COMPONENTS IDENTIFIED BY THE MARK  
! ARE CRITICAL FOR RISK OF FIRE AND  
ELECTRIC SHOCK. REPLACE ONLY WITH PART  
NUMBER SPECIFIED.**

**SBX-300****EXPLODED VIEW PARTS LIST**

REF. NO.	DESCRIPTION	Q'TY	PART NO. (SN)	REMARKS
	<b>Casing Pocket</b>	<b>1</b>	<b>671-SBX30*-47B</b>	
	<b>CASING FOR ELECT. ASSEMBLY</b>	<b>1</b>	<b>660-SBX30*-47B</b>	
TO L SPEAKER	PLUG CONN 2Pin P=2.5mm L=250	1	152-020250-WH6X3	
TO R SPEAKER	PLUG CONN 2pin P=2.5mm L=300	1	152-020300-WH6X3	
	FFC cable 9pin pitch=1.0mm	1	155-R09120-PW2X0	
	FFC CABLE 20PIN PITCH=1.0MM	1	155-R20240-PW2Y0	
	FFC-CABLE 14P P=1.0mm L=130m	1	155-S14130-PW2Y1	
	speaker cone round 6 ohm 4	2	200-011004-371X0	
	<b>CASING FOR MECH. ASSEMBLY</b>	<b>1</b>	<b>661-SBX30*-47B</b>	
	"E"-RING NI-PLATED DIA:2.0mm	3	20-3750-01-01-V1	
	HANDLE BAR BLACK	1	20-3834-02-01-V1	
	SHAFT [HUNG TAO]	1	20-3835-01-01-V1	
	PRESS PLATE [HUNG TAO]	2	20-3836-01-01-V1	
	DOCK BOX SPRING	1	20-3837-01-01-V1	
	SPRING	1	20-3838-01-01-V1	
	SWING ROD SPRING	1	20-3839-01-01-V1	
	DOCK LOCK SPRING	1	20-3840-01-01-V1	
	SWING END SHAFT	1	20-3847-01-01-V1	
	SWING END SPRING	1	20-3848-01-01-V1	
	LOCK KNOB SPRING	1	20-3849-01-01-V1	

Rubber damper down SR7689	1	30-3560-01-01-X1
Rubber damper up SR7689	1	30-3593-01-01-X1
Rubber damper location SR768	1	30-3594-01-01-X1
FELT DOCKING WIRE SR7689	2	30-3608-01-01-X1
SPONGE WIRE A 250x25x2mm	2	30-3619-01-01-X2
SPONGE WIRE B 120x25x2mm	6	30-3620-01-01-X2
Acoustic felt (PNS-200)	2	30-3622-01-01-X1
rubber damper down R SR7689	1	30-3643-01-01-X1
CLOTH	2	30-3683-01-01-V1
RUBBER FOOT	4	30-3684-01-01-V1
RUBBER SURPORT	1	30-3686-01-01-V1
GROMMET	9	30-3688-01-01-V1
L SIDE PC [SAN NGAI]	1	30-3691-01-01-V1
R SIDE PC NO PAIR & NO USB	1	30-3692-01-03-V1
EVA FOR SPK BOX R	1	30-3706-01-01-V1
EVA FOR LIGHT WIRE	1	30-3707-01-01-V1
EVA FOR SPK BOX L SBX200	1	30-3730-01-01-V1
EVA for IPAD WIRE	1	30-3809-01-01-V1
EVA for REAR A SBX200	4	30-3811-01-01-V1
EVA for REAR B SBX200	4	30-3812-01-01-V1
EVA for REAR C SBX200	2	30-3813-01-01-V1
FELT FOR FRONT SBX200	2	30-3814-01-01-V1
FELT FOR LED LENS SBX200	1	30-3815-01-01-V1
felt 38*6*0.15mm	2	30-3824-01-01-X1
pet sheet SBX200	2	30-3825-01-01-V1
sponge S for Pipe 15*15*2 mm	4	30-3829-01-01-V1
sponge L for Pipe 25*15*2 mm	4	30-3830-01-01-V1
FELT for MAIN PCB 72*6*0.15m	2	30-3833-01-01-V1
felt for dock SBX200	1	30-3835-01-01-V1
DAMPER 25G SR7655	1	300-N00851-000X0
DOCK BOX TOP	1	300-N01198-000V0
DOCK BOX BOTTOM	1	300-N01199-000V0
DOCK HOUSING	1	300-N01200-000V0

GEAR	1	300-N01201-000V0
DOCK LOCK	1	300-N01202-000V0
KNOB PRESS	1	300-N01203-000V0
SWING ROD	1	300-N01204-000V0
IPAD CONTACT	1	300-N01205-000V0
LOCK KNOB	1	300-N01206-000V0
FRAME NET F	1	300-N01207-000V0
FRAME NET R	1	300-N01208-000V0
FUNCTION KNOB NO PAIR	1	300-N01209-010V0
HANDLE COVER BLACK	2	300-N01210-100V0
POWER KNOB	1	300-N01211-000V0
LED LENS	1	300-N01212-000V0
POWER LENS	1	300-N01213-000V0
R SIDE PANEL	1	300-N01214-000V0
L SIDE PANEL	1	300-N01215-000V0
SPK BOX L	1	300-N01216-000V0
SPK BOX R	1	300-N01217-000V0
LEVER DAMPER	1	300-N01224-000V0
SWING END	1	300-N01250-000V0
SWING ROD COVER	1	300-N01251-000V0
PLASTIC WASHER SBX200	5	300-N01348-000V0
FRONT	1	300-S00111-000V0
REAR	1	300-S00112-000V0
SELF TAPPING B-HEAD 2.6xL6mm	5	372-B26060-NTNX2
SELF TAPPING B-HEAD 3xL8mm	8	372-B30080-YTNX1
SELF TAPPING B-HEAD 3xL10mm	12	372-B30100-BTNX2
SELF TAPPING B-HEAD 3xL12mm	15	372-B30120-NTNX1
SELF TAPPING B-HEAD 3xL14mm	12	372-B30140-BTNX1
SELF TAPPING B-HEAD 4x12mm	8	372-B40120-BTNX1
SELF TAPPING B-HEAD 4x12mm	2	372-B40120-YTNX1
SELF TAPPING K-HEAD 3xL10mm	8	372-K30100-BTNX1
SELF TAPPING P-HEAD 1.7x8mm	5	372-P17080-YTNX2

SCREW PH/TS 2.6x8 SILVER	7	372-P26080-NTHX1
self tapping P-head	2	372-P26100-BANX2
SELF TAPPING U HEAD 2xL4mm	2	372-U20040-BTNX1
SELF TAPPING SPECIAL HEAD	6	372-U20060-YTNX2
Self tapping with washer 2.6	1	377-P26060-BTNX1
SELF TAPPING WASHER P HEAD	5	377-P26080-NTNX1
SELF-TAPPING WITH WASHER	2	377-P26100-BTNX1
SELF TAPPING WITH WASHER	2	377-W30100-YTNX1
PIPE L ASSY	1	631-SB20L4-07B
PIPE L TOP	1	300-N01220-000VN
PIPE L BOTTOM	1	300-N01221-000VN
PIPE L ASSY	1	G31-SBX20L-07BV0
PIPE R ASSY	1	631-SB20R4-07B
PIPE R TOP	1	300-N01218-000VN
PIPE R BOTTOM	1	300-N01219-000VN
PIPE R ASSY	1	G31-SBX20R-07BV0
ELECTRICAL ASSEMBLY	1	670-SBX30*-47B

**SBX-300****PACKING PROCEDURES PARTS LIST**

REF. NO.	DESCRIPTION	Q'TY	PART NO. (SN)	REMARKS
	<b>PACKING MATERIAL ASSEMBLY</b>	<b>1</b>	<b>662-SBX30*-47B</b>	
	caution label SBX-200 47	1	460-013263-000Y0	
	POP LABEL SBX-300 47	1	460-022272-000V0	
	blank label (serial No.) ORT	1	460-042096-000V0	
EPE foam sheet.	EPE FOAM SHEET SBX-200	1	450-032036-000Y0	
Rating label	Rating label SBX-200 05B	1	460-032352-000V0	
P01	carton paper sbx-200	1	420-011424-000Y0	
P02	CUSHION	2	30-3689-01-01-V1	
P03	Polybag for RAP10 line	1	470-011849-000X0	
P04	IB SBX-200 05	1	440-002501-000V0	

P05	Warranty card ORT USA	1	400-013614-000V0
P06	polybag IB SBX-200	1	470-012016-000Y0
P07	polyfoam top SBX200	1	450-012205-000V0
P08	polyfoam bottom SBX200	1	450-012204-000V0
P09	! POWER ADAPTER INPUT:AC100-	1	212-011158-001X0
P10	Polybag for W-S10 AC CORD	1	470-011879-000X0
P11	polybag IRT U-PORT cable	1	470-011960-000Y0
P12	Carton box SBX-200 05B	1	430-002826-000V0
P13	blank label for S7638 Target	2	460-042064-000X0
P14	Remote Control Assembly	1	600-SBX30*-47B

**SBX-300****PC BOARD PARTS LIST**

CIRCUIT NO.	DESCRIPTION	Q'TY	PART NO. (SN)	REMARKS
	<b>Main Board Assy</b>	<b>1</b>	<b>652-SBX30*-47B</b>	
IC401	IC "HM338-S3" INFRARED RECEI	1	100-HM338S-000X0	
CN12,CN13	CONNECTOR 2P V PITCH=2.5mm	2	12S2-0080-1---X	
CN8,CN9	3Pins socket connector Pitch	2	12S3-0063-----X	
CN7	PLUG CONN 3P L=390MM P=2.0MM	1	152-030390-WH5X1	
CN5	plug connector 7P L=105mm P1	1	152-070105-WH6X1	
TP17,	P.C.B. Terminal for FM ANT	1	20-0477-01-02-X1	
	HEAT SINK SBX200	1	20-3869-01-01-V1	
Y2	X'TAL 32.768 KHz +/-5ppm Dia	1	21-0101-2-----X	
CN6	CONNECTOR TJC3-7A 7pins	1	240-V07250-M01X0	
CN1	FFC SOCKET 14P V TYPE	1	240-V14100-M01X0	
CN2	FFC CONNECTOR 20PIN	1	240-V20100-M01X0	
JK2	!DC Power JACK BLACK	1	241-010005-000X0	
L4,L5,L7,L8,L1,L6	FIXED INDUCTOR 15uH 5.5A	6	26-0158-1-----V	
FB8,FB9,FB23,FB3,FB6	WIDE BAND CHOKE R6H0610-2.0T	5	26A-0021-1----V	
	MAIN PCB BOARD 2-LAYER FR4	1	271-ST0108-B10V1	
	EVA for SENSOR SBX200	1	30-3810-01-01-V1	



	Self tapping b head 2.6xL8	2	372-B26080-NTNX1
	INDIRECT MATERIAL (BID)	1	664-SBX20*-07B
	BONDING GLUE #575H (EMEDING)	0.35	5-01-2-----X
	HEAT CURING ADHESIVE 1R-130	0.0138	5-02-11-----X
	Lead Free soldering wire	0.55	5-04-19-----X
	Solder paste #F640SA30C5M40	1.305	5-04-26-----X
	Lead free solder bar SN100C	0.844	5-05-7-----V
	Lead free solder bar SN100CE	1.971	5-05-8-----V
	LEAD FREE SOLDERING FLUX	5.299	5-06-3-----V
	High temperature masking tap	25	5-11-15-----X
	Double side tape 3mm (Black)	3	5-16-2B-----X
	Heat-shrinkable tube dia:2.5	12	5-17-24-----Y
JMP1,JMP2,JMP4,JMP5,JMP6,JMP7,JMP8,JMP9,J10	0.60mm tinned copper wire	1.012	5-28-8-----X
SW4	TACT SWITCH,TS-36V-D L=9.5mm	1	8TS36VD---P015X0
C136	Elect. Cap. 4700uF 25V M SMG	1	CE-478-25-M-0-Y3
C26	Elect.Cap. 1uF +/-20% 50V	1	CE105500M-P010Y0
C92	E-CAP 1000uF 25V +/-20%	1	CE108250M-P116Y4
C46,C181	ELECT CAP 330uF 16V LOW ESR	2	CE337160M-P615Y0
C47,C182	Elect Cap 330-25 M RXW	2	CE337250M-P615X0
	SMT A for Main Board assy.	1	S52-SBX30A-47B
IC9	C-IC AME8811AEFTZ 300mA CMOS	1	1-1965-2-----X
IC11	C-IC OTK5256 128PINS LQFP MC	1	100-0TK525-001X0
IC10	C-IC AME 8800MEFTZ SOT-89	1	100-AME880-001X0
IC6	C-IC AP1117-1.8 SOT-223-3L	1	100-AP1117-200X0
IC13	C-IC AP1510 SOP-8L PWM CONTR	1	100-AP1510-000X0
IC16	C-IC AP358SG-13 LOW POWER	1	100-AP358S-000V0
IC402	C-IC BU4823GTR SSOP5	1	100-BU4823-001X0
IC7	C-IC LM324 SOP-14	1	100-LM324*-000V0

IC14	C-IC APPLE AUTHENTICATION	1	100-MF1341-800X0
IC3	C-IC MP2307DN-LF-Z SOIC8N 23	1	100-MP2307-000X0
IC4	C-IC MX5010B MAXXDSP AUDIO	1	100-MX5010-000V0
IC8	C-IC STA339BWS13TR 40WATT HI	1	100-STA339-001X0
IC12,	C-IC (TS 3USB30EDGSR) HI SPE	1	100-TS3USB-000X0
IC15	C-IC W25Q80BVSSIG 8PINS 8MB	1	100-W25Q80-0Y1X0
IC19	C-IC XC6216B332PR-G SOT-89-5	1	100-XC6216-100X0
FB7	C-Ferrite bead 100MHz 600 oh	1	18AM601HT-A002X1
FB14,FB60,FB57,R224,FB35,FB4	C-FERRITE BEADS SIZE:0603(	6	18CMZ1608-A005V0
Y3	Crystal 12.288MHz +/-10ppm	1	21-0244-1----X
Y1	C-CRYSTAL 24MHZ +/-20PPM 20P	1	2124.000D-A000X0
Q40,Q42	C-MOSFET(INJ0203AC1-T112-1)	2	21NJ0203A-A008X3
CN3,	FFC CONNECTOR 9 PIN V TYPE	1	240-V09100-A01V0
Q1,Q2,Q16	C-MOSFET APM3020PUC-TRG P-CH	3	2APM3020P-A009XF
Q5	C-TR, DTC114EKA (200mW) SMT3	1	2DTC114EK-A018V7
Q8,Q13,Q14,Q17,Q20,Q3,Q4,Q15,Q28,Q10,Q22,Q2C	C-TR 2N3904 SOT-23 SMD	12	2N3904----A000X0
Q9,Q12,Q23,Q26,Q27	c-tr 2N3906 SOT-23 SMD	5	2N3906----A000XJ
D5,D8,D9,D18,D20,D21,D23,D24,D	C-DIODE 1SS355 SOD-323	9	31SS355---A001X0
D1	C-DIODE B340A 3.0A	1	3B340A----A000XU
D4	CHIP ZENER DIODE LUDZS20BTIG	1	3LUDZS20B-A000X0
D14,D28,D12,D19,D22,D26	C-DIODE RB160M-30	6	3RB160M---A003XE
D16,D6,D7	C-ZENER DIODE 5.6B LL-34	3	3RLZ5.6B--A001X7
D11	CHIP ZENER DIODE UDZS15B 15V	1	3UDZS15B--A028V7
C38,C311,C280,C39,C37	C-CAP 10PF 50V J COG SIZE	5	CC100500J-A045X0
C102,C104,C105,C112,C120,C130,C131,C132,C84,	C-CAP 1000PF 50V K SIZE:1005	31	CC102500K-A046X0
C302,C85,C129,C51	C-CAP 0.01uF 25V K X7R SIZE:	4	CC103250K-A046X0
C2,C13,C17,C21,C24,C25,C30,C45,C55,C56,C57,C	C-CAP 0.1uF 16V K X5R SIZE:	47	CC104160K-A046X0
C70,C74,C127,C180,C217	C-CAP 0.1uF 25V Z Y5V SIZE:	5	CC104250Z-A047X0

C240	C-CAP 0.1uF 50V K X7R SIZE:	1	CC104500K-A042X0
C216,C215	C-CAP 1uF 10V K X7R	2	CC105100K-A042X0
C256	C-CAP 1uF 10V +/-10% X5R	1	CC105100K-A047X0
C125	C-CAP 1uF/25V K X7R 0805	1	CC105250K-A022X0
C72,C75	CCAP 1U 25V +/-10% X5R 0603	2	CC105250K-A042X0
C151,C152,C65,C289	C-CAP 10uF +/-20% 6.3V	4	CC106063M-A042X0
C167,C170,C219,C143,C53,C221,C222,C121,C27,CC	CAP 10uF 10V Z Y5V SIZE:20	15	CC106100Z-A023X0
C338,C337	C-CAP 1500PF 50V K X7R	2	CC152500K-A046X0
C294,C293	C-CAP 22PF 50V J COG SIZE	2	CC220500J-A045X0
C351,C352,C353,C354,C355,C356,C357,C358	C-CAP 220PF 50V J COG SIZ	8	CC221500J-A045X0
C20,C19,C366	C-CAP 2.2uF 10V K X5R	3	CC225100K-A042X0
C153,C154,C8,C9	C-CAP 33PF 50V J COG SIZE	4	CC330500J-A045X0
C54,C64	C-CAP 330PF 50V J COG SIZ	2	CC331500J-A045XB
C48	C-CAP 3900PF X7R 0402	1	CC392500K-A046X0
#####	C-CAP 47PF 50V CH J SIZE:100	55	CC470500J-A045X0
C179,C99,C44,C43	C-CAP 4700PF 50V K X7R	4	CC472500K-A046X0
C344,C257,C296,C314,C340,C341,C342,C343,C345	C-CAP 560PF 50V K X7R	13	CC561500K-A046X0
C101	C-CAP 680PF 50V K X7R SIZE	1	CC681500K-A046X0
C67,C103	C-CAP 680nF 10V +/-10% X5R	2	CC684100K-A042X0
FB22,FB5,	Resistor, 0 ohm 1/4W +/-5%	2	RC0000045-A003X0
FB62	C-JUMPER 1/8W J SIZE:2012	1	RC0000085-A002X0
R46,R49,R54,R55,R59,R45,FB50,FB51,FB17,FB52,C	JUMPER, 1/10W +/-5%	31	RC0000105-A005X0
R15,R44,R169,R320,R142,R143,R48,R248,R256	Resistor 0 ohm 1/16W +/-5%	9	RC0000165-A009X0
R62,R63,R60,R3	R-CHIP 4.7 ohm 1/16W +/-5%	4	RC0470165-A009X0
R324	Resistor 10 ohm 1/10W +/-5%	1	RC1000105-A005X0
R243,R241,R186,	Resistor 10 ohm 1/16W +/-5%	3	RC1000165-A009X0
R167,R260,R261,R282,	Resistor 100 ohm 1/16W +/-5%	4	RC1010165-A009X0
R126,R134	Resistor 1K ohm 1/8W +/-5%	2	RC1020085-A002X0
R79,R99,R68,R21,R95,R42,R74	C-RES 1K 1/10W +/-5%	7	RC1020105-A005X0
R231	Resistor 1K ohm 1/16W +/-1%	1	RC1020161-A009X0
R1,R91,R96,R43,R114,R9,R102,R103,R400,R92,R2	Resistor 1K ohm 1/16W +/-5%	11	RC1020165-A009X0
R151,R119,R90,R223,R230	C-RES 10K ohm 1/16W +/-1%	5	RC1030161-A009X0
R31,R64,R65,R69,R70,R71,R73,R86,R7,R8,R13,R1	Resistor 10K ohm 1/16W +/-5%	39	RC1030165-A009X0

R117,R121,R27,R19,R332,R94,R187,R201,R195,R1	Resistor 100K ohm 1/16W +/-5	11	RC1040165-A009X0
R212,R115	C-RES 1M ohm 1/16W +/-1%	2	RC1050161-A009X0
R253,R168,R283,R16	Resistor 1M ohm 1/16W +/-5%	4	RC1050165-A009X0
R118	Resistor 12K ohm 1/16W +/-1%	1	RC1230161-A009X0
R58	Resistor 1.5K ohm 1/16W +/-1	1	RC1520161-A009X0
R12	Resistor 15K ohm 1/16W +/-5%	1	RC1530165-A009X0
R331,R330	Resistor,150K ohm 1/16W +/-5	2	RC1540165-A009X0
R61,R29	Resistor 22 ohm 1/16W +/-5%	2	RC2200165-A009X0
R66,R67	C-RES 220 1/10W +/-5%	2	RC2210105-A005X0
R152,R97,R98	C-RES 220 ohm 1/16W +/-5%	3	RC2210165-A009X0
R30	Resistor 2.2K ohm 1/16W +/-5	1	RC2220165-A009X0
R123,R129,R188	Resistor 22K ohm 1/16W +/-5%	3	RC2230165-A009X0
R105,R106,R4,R10,R104,R107	Resistor 220K ohm 1/16W +/-5	6	RC2240165-A009X0
R110,R111	Resistor, 24K ohm 1/16W +/-5	2	RC2430165-A009X0
R233	C-RES 33K ohm 1/16W +/-1%	1	RC3330161-A009X0
R56	Resistor 3.9K ohm 1/16W +/-1	1	RC3920161-A009X0
R252	C-RES 43.2K ohm 1/16W +/-1%	1	RC4332161-A009XM
FB31,FB32,FB29,FB30,R77,R78,R7	Resistor 47 ohm 1/10W +/-5%	7	RC4700105-A005X0
R72,R163,R164	C-RES 47 ohm 1/16W +/-5%	3	RC4700165-A009X0
R155,R145,R297,R144,R162,R222	Resistor 470 ohm 1/16W +/-5%	6	RC4710165-A009X0
R137,R225,R165,R198	Resistor 4.7K ohm 1/16W +/-5	4	RC4720165-A009X0
R89	C-RES 47K ohm 1/16W +/-1%	1	RC4730161-A009X0
R125,R127,R124,R130,R131,R135,R158,R197,R227	Resistor 47K ohm 1/16W +/-5%	11	RC4730165-A009X0
R116,R503	Resistor 470K ohm 1/16W +/-5	2	RC4740165-A009X0
R250,R251	C-RES 49.9K ohm 1/16W +/-1%	2	RC4939161-A009X0
R270	Resistor, 5.1M ohm 1/16W +/-	1	RC5150165-A009X0
R112,	C-RES 5.6K ohm 1/16W +/-5%	1	RC5620165-A009X0
R274	Resistor 560K ohm 1/16W +/-5	1	RC5640165-A009X0
R240	C-Res 620 ohm 1/16W +/-1%	1	RC6210161-A009X0
R229,R113	Resistor 68 ohm 1/16W +/-1%	2	RC6800161-A009X0
R88,	Resistor 6.8K ohm 1/16W +/-5	1	RC6820165-A009X0
R249	C-RES 75K ohm 1/16W +/-1%	1	RC7530161-A009X0

R57	C-RES 8.2K ohm 1/16W +/-1%	1	RC8220161-A009X0	
R215,R214,C282,R166	ESD 0402ESDA-09 9V/25V <1nA	4	RL25K003*-A009X0	
R157,R150	C-RES 4x47 ohm 1/16W +/-5%	2	RN4700165-A409X0	
R80,R81,R84,R141,R146,R147,R148,R149,R156,R1C	RES 4X470 OHM 1/16W 5% SIZ	11	RN4710165-A409X0	
	SMT B for Main Board assy.	1	S52-SBX30B-47B	
IC5,	C-IC TL431G-AE3-R +/-0.5%	1	100-TL431*-001X0	
FB24,FB41,FB42,FB43,FB48,FB55,FB56,FB58,FB5C	FERRITE BEADS SIZE:0603(	9	18CMZ1608-A005V0	
Q41	C-TR 2N3904 SOT-23 SMD	1	2N3904----A000X0	
D27	C-DIODE 1SS355 SOD-323	1	31SS355---A001X0	
C318,C328,C329,C330,C331,C332,C334,C335	C-CAP 10PF 50V J COG	8	CC100500J-A041X0	
C227,C231,C239,C243,C247,C272,C312,C229,C241C	CAP, 1000PF 50V K X7R	11	CC102500K-A042X0	
C4,C228,C232,C244,,C273,C305,C313,C230,C414,(C	CAP 0.1uF 50V K X7R SIZE:	12	CC104500K-A042X0	
C413,C436	C-CAP 10uF +/-20% 6.3V	2	CC106063M-A042X0	
C415,C359,C360,C361,C362,C363,C364,C365,C377C	CAP 220PF 50V J COG	9	CC221500J-A041X0	
C309	C-CAP 470pF 50V K X7R	1	CC471500K-A042X0	
C348	C-CAP 560PF 50V K X7R	1	CC561500K-A042X0	
FB18,FB46,FB47,FB63,FB65,FB66,FB67,FB68,FB4C	JUMPER, 1/10W +/-5%	9	RC0000105-A005X0	
R213,	C-RES 0.027 ohm 1W +/-1%	1	RC0027N11-A012XH	
R483	Resistor 100 ohm 1/10W +/-5%	1	RC1010105-A005X0	
R232	Resistor 1K ohm 1/10W +/-1%	1	RC1020101-A005X0	
R482,R254,R246	C-RES 10K 1/10W +/-5%	3	RC1030105-A005X0	
R255,	Resistor 100K ohm 1/10W +/-5	1	RC1040105-A005X0	
R235,	C-RES 1.2K 1/10W +/-5%	1	RC1220105-A005X0	
R481	Resistor 22 ohm 1/10W +/-5%	1	RC2200105-A005X0	
R242	Resistor 47 ohm 1/10W +/-5%	1	RC4700105-A005X0	
R298	C-RES 470 1/10W +/-5%	1	RC4710105-A005X0	
<b>CIRCUIT NO.</b>	<b>DESCRIPTION</b>	<b>Q'TY</b>	<b>PART NO. (SN)</b>	<b>REMARKS</b>
	IPOD BOARD assembly	1	686-SBX20*-01W	
	IPOD PCB BOARD 2-LAYER FR4	1	271-ST0114-B10V1	

	SMT A IPOD connector board	1	S86-SBX20A-01W
CN800	30PIN IPOD CONNECTOR	1	240-V30050-A20X0
C813	C-CAP 0.1uF 16V K X5R SIZE:	1	CC104160K-A046X0
C814	C-CAP 47PF 50V CH J SIZE:100	1	CC470500J-A045X0
R802	C-JUMPER(0ohm) 1/8 +/-5%	1	RC0000085-A003X0
R800,R801	Resistor 0 ohm 1/16W +/-5%	2	RC0000165-A009X0
C800,C801	ESD 0402ESDA-09 9V/25V <1nA	2	RL25K003*-A009X0
	SMT B IPOD connector board	1	S86-SBX20B-01W
CN801	FFC SOCKET 14PIN PITCH=1mm	1	240-V14100-A01X0

CIRCUIT NO.	DESCRIPTION	Q'TY	PART NO. (SN)	REMARKS
	<b>BACK LIGHT &amp; LED LIGHT BOARD</b>	<b>1</b>	<b>688-SBX20*-01W</b>	
LED806	BACK LIGHT FRAME FOR SBX200	1	167-060026-001X0	
	BACK LIGHT & LED LIGHT PCB	1	271-ST0117-B10V1	
	SMT A BACK LIGHT & LED LIGH	1	S88-SBX20A-01W	
LED800,LED801,LED802,LED803,LED804,LED80C	LED "1SA0603GT2E0CB01" siz	6	281SA0603-A003X0	
LED805	C-LED ORANGE COLOUR SIZE:060	1	281SA0603-A006X0	
Q802	C-TR 2N3904 SOT-23 SMD	1	2N3904----A000X0	
D801,D802,D803,D804	C-DIODE 1SS355 SOD-323	4	31SS355---A001X0	
R809	Resistor 10K ohm 1/16W +/-5%	1	RC1030165-A009X0	
R810	Resistor 100K ohm 1/16W +/-5	1	RC1040165-A009X0	
R811	Resistor 3.9K ohm 1/8W +/-1%	1	RC3920081-A002X0	
	SMT B BACK LIGHT & LED LIGH	1	S88-SBX20B-01W	
CN803,	FFC CONNECTOR 9 PIN H TYPE	1	240-H09100-A01V0	
CN802	C-SOCKET CONNECTOR 9P P=1.25	1	240-V09125-A01X0	
Q800,Q801,Q803,Q804,Q805,Q806,Q807,Q808,Q80C	C-TR 2N3904 SOT-23 SMD	12	2N3904----A000X0	
	C-DIODE 1SS355 SOD-323	2	31SS355---A001X0	
C803,C812	C-CAP 0.01uF 25V K X7R SIZE:	2	CC103250K-A046X0	



C811,C802	C-CAP 4.7uF 25V K X5R SIZE:	2	CC475250K-A022V9
R842	C-JUMPER 1/8W J SIZE:2012	1	RC0000085-A002X0
R853,R829	Resistor 1K ohm 1/8W +/-5%	2	RC1020085-A002X0
R803,R806,R812,R815,R818,R821,R824,R827,R832	Resistor 10K ohm 1/16W +/-5%	12	RC1030165-A009X0
R807,R816,R819,R822,R825,R828,R831,R804,R812	Resistor 100K ohm 1/16W +/-5	12	RC1040165-A009X0
R823,	Resistor 1.8K ohm 1/16W +/-1	1	RC1820161-A009X0
R835,R850	C-RES 2.7K 1/8W J SIZE:2012(	2	RC2720085-A002X0
R838,R846,R854,R847,R826,R823,R856,R857	Resistor, 330 ohm 1/8W +/-5	8	RC3310085-A002X0
R805,R808,R820,R814,R817	Resistor 3.9K ohm 1/8W +/-1%	5	RC3920081-A002X0
R855	Resistor 470 ohm 1/8W +/-5%	1	RC4710085-A002X0
R829,R835,R850	Resistor 4.7K ohm 1/8W +/-1%	3	RC4720081-A002X0
R830	Resistor 5.1K ohm 1/10W +/-5	1	RC5120105-A005X0
R851	Resistor, 620 ohm 1/8W +/-5	1	RC6210085-A002X0

CIRCUIT NO.	DESCRIPTION	Q'TY	PART NO. (SN)	REMARKS
	<b>Key Board assy</b>	<b>1</b>	<b>690-SBX30*-47B</b>	
CN602	PLUG CONN 3P L=250MM P=2.0MM	1	152-030250-WH5X1	
CN600	PLUG CONN 9P L=90mm P1=2.0mm	1	152-090090-WH5X1	
TP600	WIRE 1P UL1007 AWG20 L=300MM	1	153-01L300-PW0X1	
JK603	EARPHONE JACK (PJ-310H)	1	23-0148-1-----V	
CN601	FFC CONNECTOR 20PIN	1	240-H20100-M01X0	
	KEY PCB BOARD SINGLE LAYER	1	270-ST0032-B10V1	
SW600,SW601,SW602,SW603,SW604	TACT SWITCH SKRGAED010 PITCH	5	8SKRGAED0-P015V2	
	SMT Key Board assy	1	S90-SBX30*-47B	
IC601	C-IC BA4510FV	1	100-BA4510-000V0	
FB601,FB603,FB604	C-FERRITE BEADS SIZE:0603(	3	18CMZ1608-A005V0	
D610,D611,D612,D613,D614,D615	C-DIODE 1SS355 SOD-323	6	31SS355---A001X0	
D606,D607,D608	ESD SUPPRESSOR "0603ESDA-09"	3	3ESDA09---A005X0	
C608,C609,C634,C2635	C-CAP, 1000PF 50V K X7R	4	CC102500K-A042X0	
C606,C607	C-CAP 0.01uF 50V K X7R	2	CC103500K-A042X0	
C622,C626	C-CAP 0.1uF 50V K X7R SIZE:	2	CC104500K-A042X0	

C623,C627	C-CAP 10uF 10V Z Y5V SIZE:20	2	CC106100Z-A023X0
C611,C612,C618,C615,C631,C630	C-CAP 2.2uF 10V K X5R	6	CC225100K-A042X0
C613,C614,C616,C617,C619,C625,C620,C621,C628	C-CAP 47PF 50V J COG	10	CC470500J-A041X0
C610,C624,C632,C633	C-CAP 470PF 50V J COG	4	CC471500J-A041X0
R644	C-JUMPER(0ohm) 1/8 +/-5%	1	RC0000085-A003X0
R613,R640,R641,R642,R643	C-JUMPER, 1/10W +/-5%	5	RC0000105-A005X0
R636,R637	C-RES 1K 1/10W +/-5%	2	RC1020105-A005X0
R630	C-RES 10K ohm 1/8W +/-5%	1	RC1030085-A003X0
R611,R625,R626,R629,R627,R628	C-RES 10K 1/10W +/-5%	6	RC1030105-A005X0
R638,R639	Resistor 100K ohm 1/10W +/-1	2	RC1040101-A005X0
R615	Resistor 1.5K ohm 1/10W +/-1	1	RC1520101-A005X0
R612	Resistor 15K ohm 1/10W +/-1%	1	RC1530101-A005X0
R616	Resistor 2K ohm 1/10W +/-1%	1	RC2020101-A005X0
R620,R622	Resistor 20K ohm 1/10W +/-5%	2	RC2030105-A005X0
R635,	Resistor, 22 ohm 1/4W +/-5%	1	RC2200045-A003X0
R614	C-Res 2.4K ohm 1/10W +/-1%	1	RC2420101-A005X0
R631,R632	Resistor 24K ohm 1/10W +/-5%	2	RC2430105-A005X0
R621,R623	Resistor 27K ohm 1/10W +/-5%	2	RC2730105-A005X0
R646,R647,R648,R649,R650,R651,R652	C-RES 4.7K 1/10W +/-5%	7	RC4720105-A005X0
R633,R634	C-RES 47K 1/10W +/-5%	2	RC4730105-A005X0

# ONKYO

## ONKYO SOUND & VISION CORPORATION

Technical Support, Service Dept.: 2-1, Nisshin-cho, Neyagawa-shi, OSAKA 572-8540, JAPAN  
Tel: 072-831-8023 Fax: 072-831-8163

## ONKYO U.S.A. CORPORATION

18 Park Way, Upper Saddle River, N.J. 07458, U.S.A.  
Tel: 800-229-1687, 201-785-2600 Fax: 201-785-2650  
<http://www.us.onkyo.com/>

## ONKYO EUROPE ELECTRONICS GmbH

Liegnitzerstrasse 6, 82194 Groebenzell, GERMANY  
Tel: +49-(0)8142 42 08 10 Fax: +49-8142-4401-555  
<http://www.eu.onkyo.com/>

## ONKYO EUROPE ELECTRONICS GmbH (UK BRANCH)

The Coach House 81A High Street, Marlow, Buckinghamshire, SL7 1AB, UK  
Tel: +44-(0)1628-473-350 Fax: +44-(0)1628-401-700

## ONKYO CHINA LIMITED

Unit 1033, 10/F, Star House, No 3, Salisbury Road, Tsim Sha Tsui Kowloon, Hong Kong.  
Tel: 852-2429-3118 Fax: 852-2428-9039  
<http://www.ch.onkyo.com/>